

## CREW MEMBER UNIT

# CZS-2FFS-DZ

The CZS-2FFS-DZ is a portable unit designed for the highest level users. The device allows to work in a two different zones with different level of classification (e.g. black/red) at the same time. The zone selection is made by a rotary switch. The main functionalities of the unit are to set up calls in the system, to allocate radio stations, to set up a rebroadcast, to control data flow, to visualize systems information and status. Current settings and possible submenu options are shown in its displays. User can access any user-specified functionalities including selection of phone numbers, IP addressing, menu navigation and radios settings via buttons placed around displays. The device communicate with the system via Ethernet interface or FONET line.

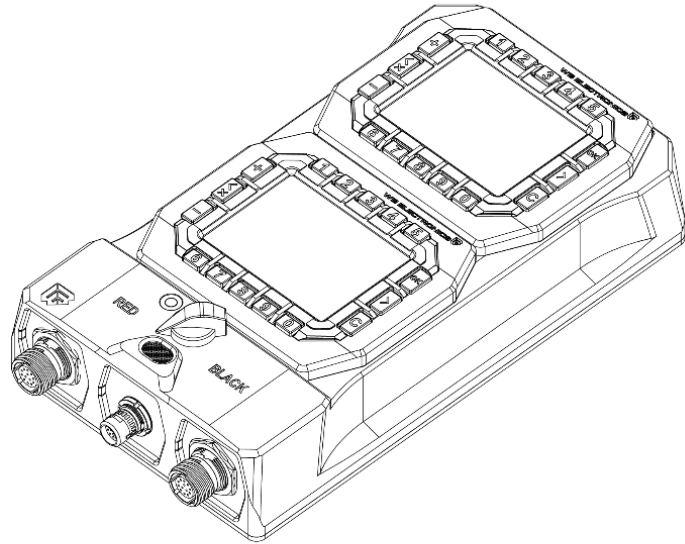
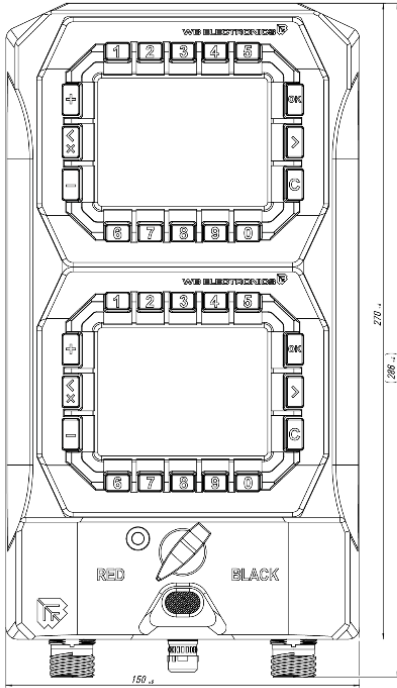
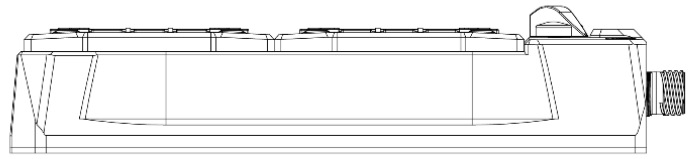
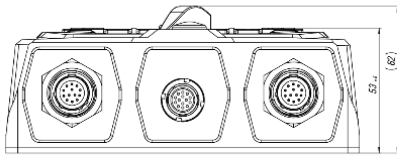
CZS-2FFS-DZ is also fitted with a function keyboard which provides an emergency broadcast mode and an access to quick settings voice menu (e.g. volume control, radio silence), a loudspeaker and a rotary switch with indicator of chosen zone.



[www.wbgroup.pl](http://www.wbgroup.pl)

**WB ELECTRONICS**   
WB GROUP

WB Electronics S.A.  
ul. Poznańska 129/133, 05-850 Ożarów Mazowiecki, Poland  
t: +48 22 731 25 00 | f: +48 22 731 25 01  
[info@wb.com.pl](mailto:info@wb.com.pl)



## Technical specifications

Power consumption	<b>Max. 12 W per zone</b>
Power supply - input (separate input per zone)	<b>18 ÷ 36 V DC (from on-board power supply) 42.5 ÷ 57 V (from PoE)</b>
Power supply output for ANR headset	<b>max. 0.3 A (from internal power converter)</b>
Headset Ports	<b>1 channel switchable between zones (e.g. black/red)</b>
Speaker	<b>1 channel switchable between zones (e.g. black/red)</b>
Operating temperature range	<b>-32°C ÷ +55°C</b>
Storage temperature range	<b>-50°C ÷ +70°C</b>
Electromagnetic compatibility	<b>MIL-STD-461 F</b>
Environment requirement	<b>MIL-STD-810 G</b>
Shock / vibration	<b>Tracked and wheeled vehicle</b>
Display	<b>2 x High contrast, full color LCD 3,5"</b>
Dimensions	<b>150 [L] x 286 [W] x 62 [H] mm</b>